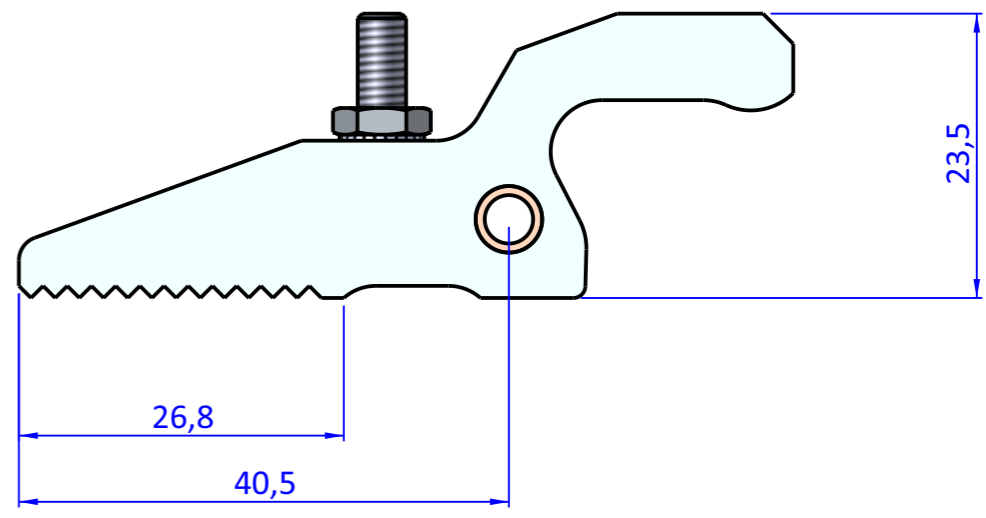
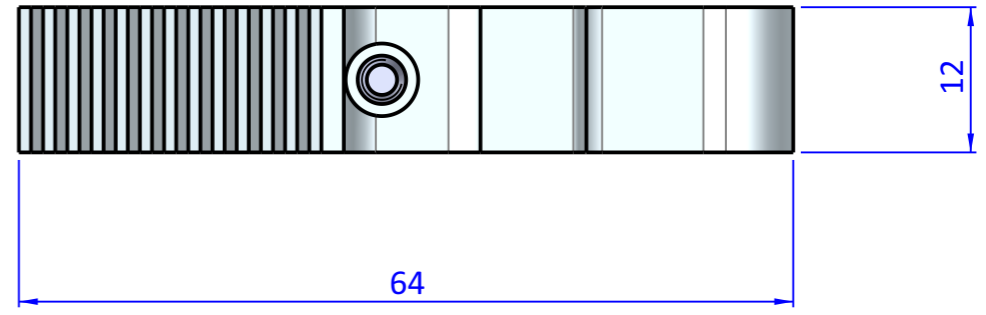
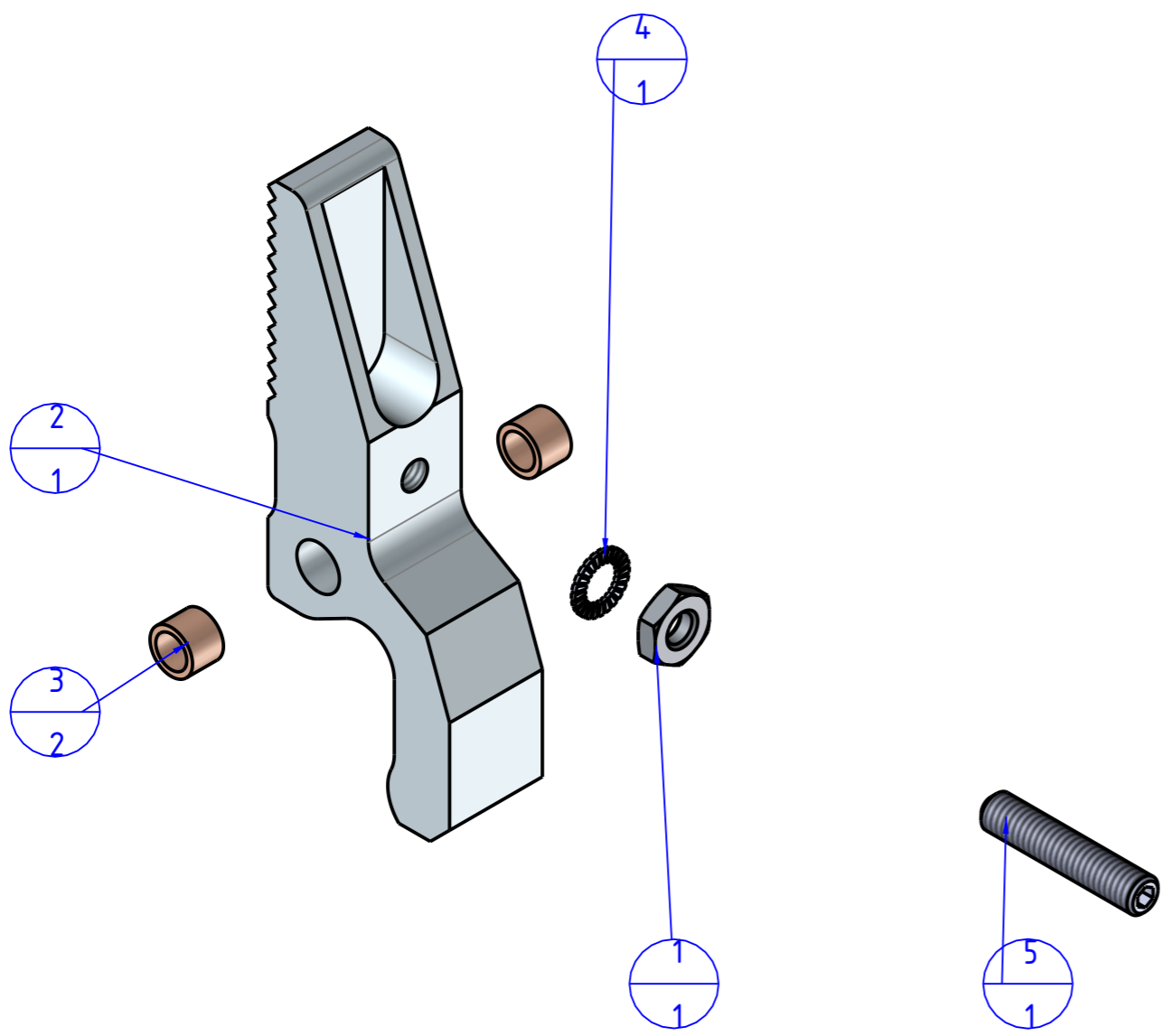



THE PROPERTY OF THE DRAWING IS ESTABLISHED BY LAW. IT IS FORBIDDEN TO PRODUCE OR SHOW IT TO THIRD PART - WITHOUT A WRITTEN AGREEMENT.

Item	Name	Q.ty
1	D.4	1
2	GTS.1004.12.01	1
3	PAP.0405504	2
4	R.4.SCH	1
5	V.STM4X20	1



Format A3
UNI 936-76

 FPS FPSERVICES AUTOMATION		DESIGNED FROM		REVIEW
		FPS Automation		A
GENERAL TOLERANCE		DATE		WEIGHT
UNI - ISO 2768		21/09/2021		0,056kg
CLASSE f		CODE		
		GTS.04.12.01		GTS.04.12.01